

READ ALL INSTRUCTIONS BEFORE
ASSEMBLY AND USE.
KEEP INSTRUCTIONS FOR FUTURE USE.
⚠ **ADULT ASSEMBLY REQUIRED**
DUE TO THE PRESENCE OF SMALL PARTS DURING
ASSEMBLY, KEEP OUT OF REACH OF CHILDREN UNTIL
ASSEMBLY IS COMPLETE.

DeltaTM
Children's Products

Customer Service:
Web Site: www.deltachildrenproducts.com
Delta Children's Products
114 West 26th Street
New York, NY 10001
Tele. 212-645-9033



THIS PRODUCT IS NOT INTENDED FOR INSTITUTIONAL OR COMMERCIAL USE.

If you have any questions or missing parts, contact us. DO NOT return product parts to the store from where it was purchased before contacting Delta Children's Products Customer Service. Make sure that all pre-assembled parts are tight. The appearance of your product may be different from that pictured in this booklet.

To register your product for important safety alerts and updates to your product please visit <http://deltaenterprise.com/register.asp>

⚠CAUTION: ANY MATTRESS USED IN THIS CRIB MUST BE AT LEAST 27 1/4 INCHES BY 51 5/8 INCHES WITH A THICKNESS NOT EXCEEDING 6 INCHES.

⚠WARNING: CRIB

INFANTS CAN SUFFOCATE ON SOFT BEDDING. NEVER ADD A PILLOW, COMFORTER OR PADDING.

FAILURE TO FOLLOW THESE WARNINGS AND THE ASSEMBLY INSTRUCTIONS COULD RESULT IN SERIOUS INJURY OR DEATH.

TO REDUCE THE RISK OF SIDS, PEDIATRICIANS RECOMMEND HEALTHY INFANTS BE PLACED ON THEIR BACKS TO SLEEP, UNLESS OTHERWISE ADVISED BY YOUR PHYSICIAN.

ADULT ASSEMBLY REQUIRED DUE TO SMALL PARTS.

*READ ALL INSTRUCTIONS BEFORE ASSEMBLING CRIB. **KEEP INSTRUCTIONS FOR FUTURE USE.**

***STRANGULATION HAZARD:** STRINGS CAN CAUSE STRANGULATION! **DO NOT** PLACE ITEMS WITH A STRING AROUND A CHILD'S NECK, SUCH AS HOOD STRINGS OR PACIFIER CORDS. **DO NOT** SUSPEND STRINGS OVER A CRIB OR ATTACH STRINGS TO TOYS.

***STRANGULATION HAZARD:** TO HELP PREVENT STRANGULATION TIGHTEN ALL FASTENERS. A CHILD CAN TRAP PARTS OF THE BODY OR CLOTHING ON LOOSE FASTENERS.

***STRANGULATION HAZARD: DO NOT** PLACE CRIB NEAR WINDOW WHERE CORDS FROM BLINDS OR DRAPES MAY STRANGLE A CHILD.

***FALL HAZARD:** WHEN CHILD IS ABLE TO PULL TO A STANDING POSITION, SET MATTRESS TO LOWEST POSITION AND REMOVE BUMPER PADS, LARGE TOYS AND OTHER OBJECTS THAT COULD SERVE AS STEPS FOR CLIMBING OUT. THIS CRIB HAS AN ADJUSTABLE MATTRESS SUPPORT. FOR THE CONVENIENCE OF THE PARENT WHEN THE BABY IS VERY SMALL, THE MATTRESS SUPPORT MAY BE USED IN THE HIGHEST POSITION. IMPORTANT: WITH THE MATTRESS SUPPORT AND MATTRESS IN THE HIGHEST POSITION, BE ABSOLUTELY SURE THAT THE TOP OF THE FRONT CRIB SIDE IS AT LEAST 3 INCHES HIGHER THEN THE TOP SURFACE OF THE MATTRESS. IF IT IS NOT, LOWER THE MATTRESS SUPPORT AND THE MATTRESS TO THE NEXT HIGHEST POSITION.

***FALL HAZARD:** WHEN CHILD IS ABLE TO CLIMB OUT OR REACHES THE HEIGHT OF 35 IN. (90 CM), THE CRIB SHALL NO LONGER BE USED, THE CHILD SHOULD BE PLACED IN A YOUTH OR REGULAR BED.

*CHECK THIS PRODUCT FOR DAMAGED HARDWARE, LOOSE JOINTS, MISSING PARTS OR SHARP EDGES BEFORE AND AFTER ASSEMBLY AND FREQUENTLY DURING USE. **DO NOT USE CRIB** IF ANY PARTS ARE MISSING, DAMAGED OR BROKEN. CONTACT DELTA CHILDREN'S PRODUCTS FOR REPLACEMENT PARTS AND INSTRUCTIONAL LITERATURE IF NEEDED. DO NOT SUBSTITUTE PARTS.

***DO NOT** USE A WATER MATTRESS WITH THIS CRIB.

*IF REFINISHING, USE A NON-TOXIC FINISH SPECIFIED FOR CHILDREN'S PRODUCTS.

***NEVER** USE PLASTIC SHIPPING BAGS OR OTHER PLASTIC FILM AS MATTRESS COVERS BECAUSE THEY CAN CAUSE SUFFOCATION.

*INFANTS CAN SUFFOCATE IN GAPS BETWEEN CRIB SIDES AND A MATTRESS THAT IS TOO SMALL.

*ENSURE A SAFE ENVIRONMENT FOR THE CHILD BY CHECKING REGULARLY, BEFORE PLACING THE CHILD IN THE CRIB, THAT EVERY COMPONENT IS PROPERLY AND SECURELY IN PLACE.

*TO AVOID HEAD INJURY, DO NOT ALLOW ANY CHILD TO PLAY UNDERNEATH THE CRIB.

TODDLER BED

WARNING ENTRAPMENT/STRANGULATION HAZARD

*INFANTS HAVE DIED IN **TODDLER BEDS** FROM ENTRAPMENT AND STRANGULATION. FAILURE TO FOLLOW THESE WARNINGS AND THE ASSEMBLY INSTRUCTIONS COULD RESULT IN SERIOUS INJURY OR DEATH.

***NEVER** USE BED WITH CHILDREN UNDER 15 MONTHS.

***NEVER** PLACE BED NEAR WINDOWS WHERE CORDS FROM BLINDS OR DRAPES MAY STRANGLE A CHILD.

***DO NOT** PLACE ITEMS WITH A STRING, CORD, OR RIBBON AROUND A CHILD'S NECK, SUCH AS HOOD STRINGS OR PACIFIER CORDS.

***DO NOT** SUSPEND STRINGS OVER A TODDLER BED FOR ANY REASON.

*THE USERS MAXIMUM WEIGHT SHALL NOT BE GREATER THAN 50 LB (22.7kg).

*THE MATTRESS INTENDED FOR USE ON THE BED SHALL BE A FULL-SIZE CRIB MATTRESS HAVING MINIMUM DIMENSIONS OF 51 5/8 IN. (1310 MM) IN LENGTH, 27 1/4 IN. (690 MM) IN WIDTH AND 4 IN. (100 MM) IN THICKNESS.

*STABILIZER BAR MUST BE USED WHEN CONVERTED TO A TODDLER BED.

*GUARDRAIL(S) PROVIDED MUST BE USED TO AVOID THE FORMATION OF A GAP BETWEEN THE MATTRESS AND THE BED THAT COULD CAUSE AN ENTRAPMENT.

NOTES ON ASSEMBLY:

-DURING THE ASSEMBLY PROCESS WHENEVER USING SCREWS OR BOLTS, CHECK EACH BY PLACING THE SCREW/BOLT ON THE DIAGRAM OF THE ITEM WHICH IS DRAWN ACTUAL SIZE AND DESIGN. BE SURE TO USE THE PROPER SIZE AND SHAPE SPECIFIED IN THE INSTRUCTIONS.

-TO ASSEMBLE THIS UNIT YOU MAY BE REQUIRED TO PLACE THE UNIT ON IT'S SIDE AND FACE. IT IS STRONGLY RECOMMENDED THAT ASSEMBLY IS DONE ON A SOFT, NON-ABRASIVE SURFACE TO AVOID DAMAGING THE FINISH.

NOTES ON USE:

KEEP CHILDREN AND OTHERS SAFE BY FOLLOWING THESE SIMPLE RULES:

- **DO NOT** ALLOW ANY CHILD TO PLAY ON FURNITURE
- **DO NOT** ALLOW CLIMBING ON ANY PIECE OF FURNITURE.
- **DO NOT** ALLOW HANGING FROM ANY PIECE OF FURNITURE.
- ALWAYS MONITOR YOUR CHILD'S ACTIVITY WHEN IN THE NURSERY.

NOTES ON CARE AND MAINTENANCE:

- **DO NOT** SCRATCH OR CHIP THE FINISH.

- INSPECT THE PRODUCT PERIODICALLY, CONTACT DELTA CHILDREN'S PRODUCTS FOR REPLACEMENT PARTS OR QUESTIONS.

- **DO NOT** STORE THE PRODUCT OR ANY PARTS IN EXTREME TEMPERATURES AND CONDITIONS SUCH AS A HOT ATTIC OR A DAMP, COLD BASEMENT. THESE EXTREMES CAN CAUSE A LOSS OF STRUCTURAL INTEGRITY.

-AN OCCASIONAL WAXING, PLUS REGULAR CLEANING WITH MILD SOAP ON A SOFT CLOTH, FOLLOWED BY A CLEAN DAMP CLOTH, THEN A DRY CLOTH, WILL PRESERVE THE ORIGINAL LUSTER AND BEAUTY OF THIS FINE FINISH.

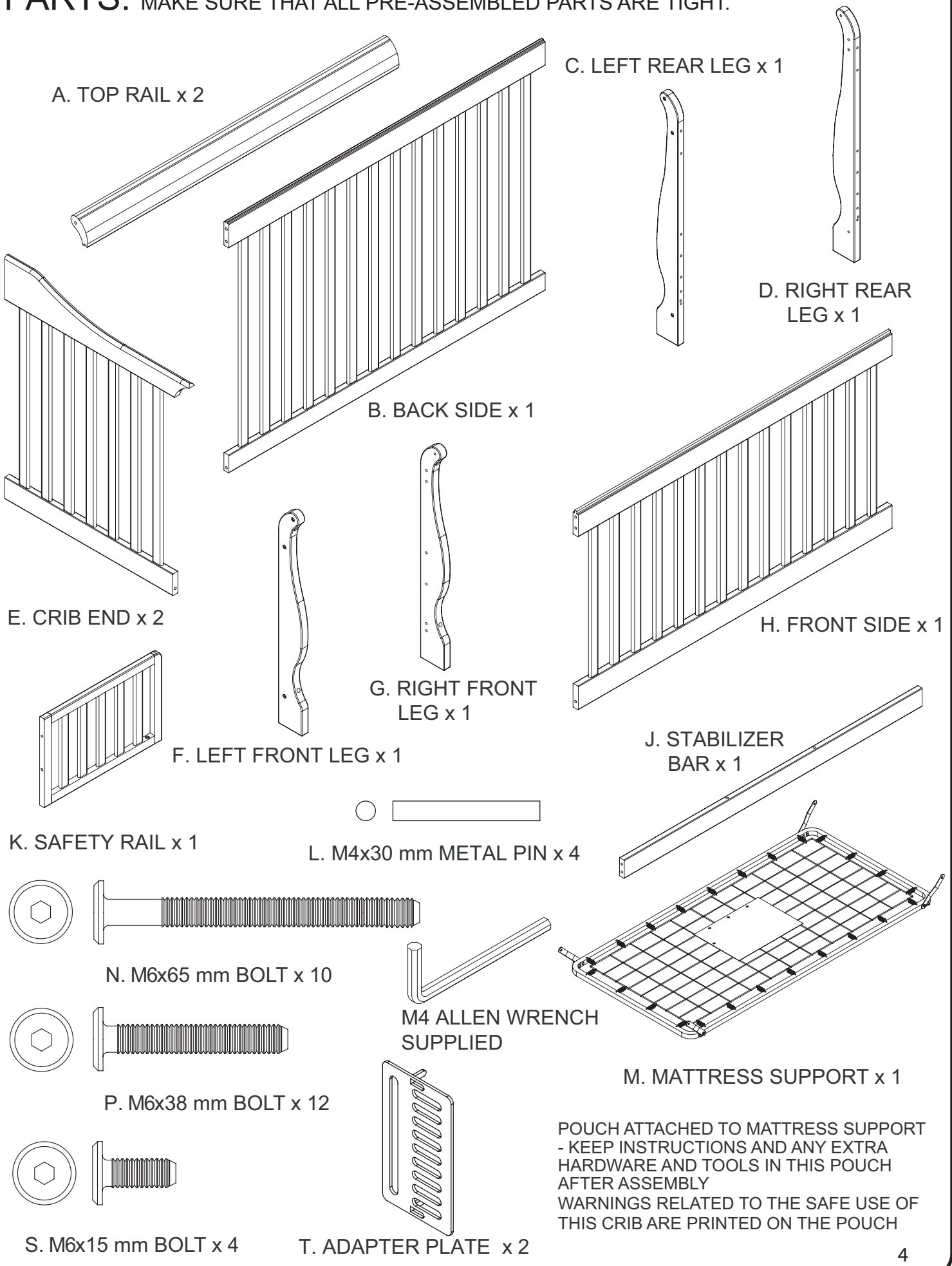
-**DO NOT** USE ABRASIVE CHEMICALS.

-**DO NOT** SPRAY CLEANERS DIRECTLY ONTO FURNITURE, SPRAY ONTO CLEANING CLOTH AND THEN APPLY TO FURNITURE. TEST IN AN INCONSPICUOUS AREA BEFORE APPLYING TO ENTIRE UNIT.

-LIFT SLIGHTLY WHEN MOVING ON CARPETING TO PREVENT LEG BREAKAGE.

-USE OF A VAPORIZER NEAR FURNITURE WILL CAUSE WOOD TO SWELL AND FINISH TO PEEL.

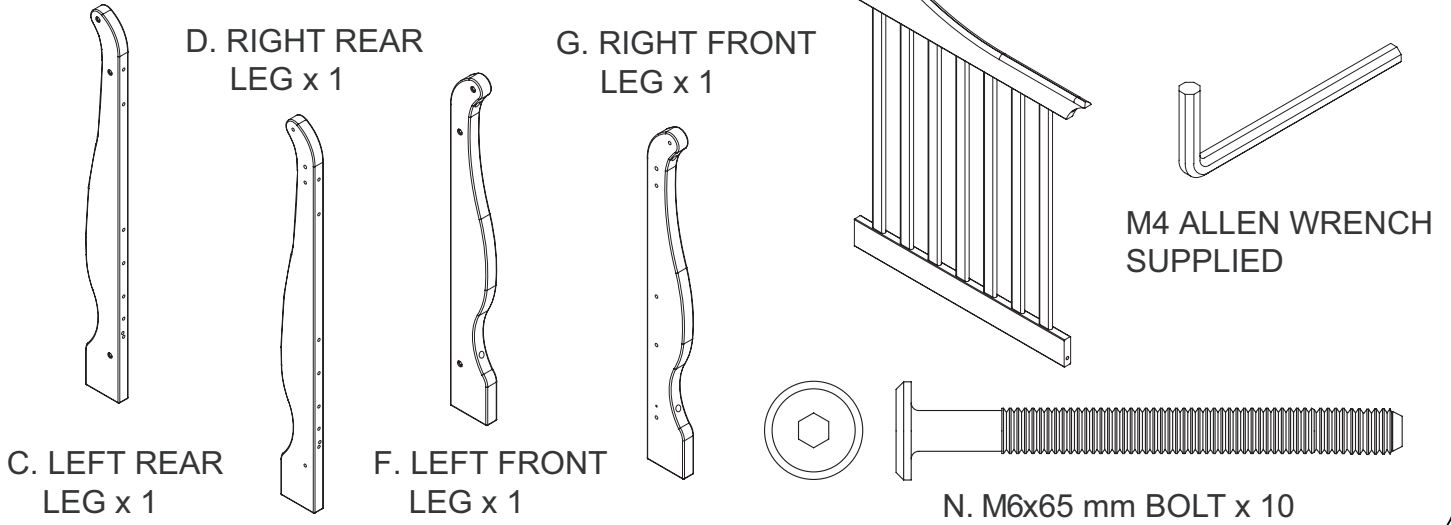
PARTS: MAKE SURE THAT ALL PRE-ASSEMBLED PARTS ARE TIGHT.



SECTION 1: CRIB ASSEMBLY

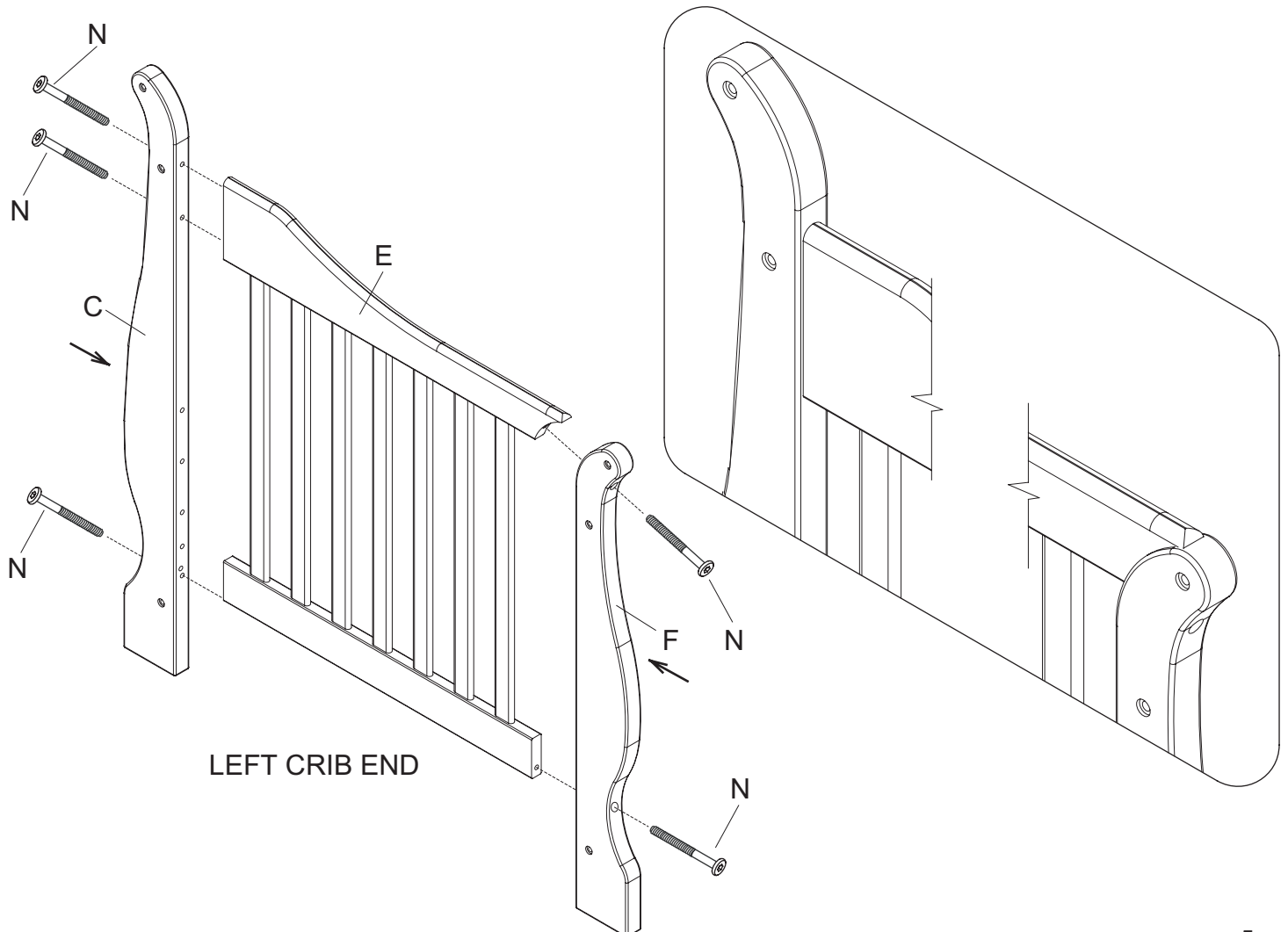
STEP 1

PARTS AND TOOLS REQUIRED TO COMPLETE STEP



ATTACH (1) CRIB END (PART E) TO (1) LEFT REAR LEG (PART C) AND (1) LEFT FRONT LEG (PART F) WITH (5) M6x65mm BOLTS (PART N) USING THE M4 ALLEN WRENCH AS SHOWN. REPEAT ON THE OTHER CRIB END.

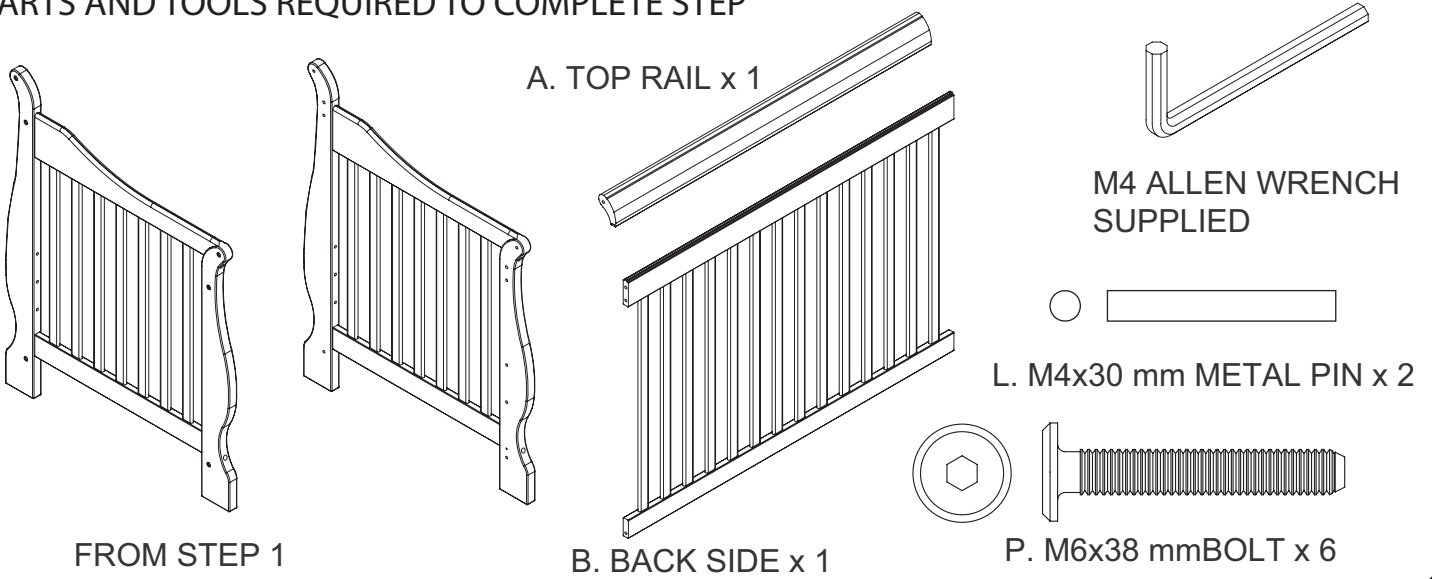
NOTE: AFTER ASSEMBLY, THE "STEPPED HOLES" IN BOTH POSTS ARE ON THE SAME SIDE.



SECTION 1: CRIB ASSEMBLY

STEP 2

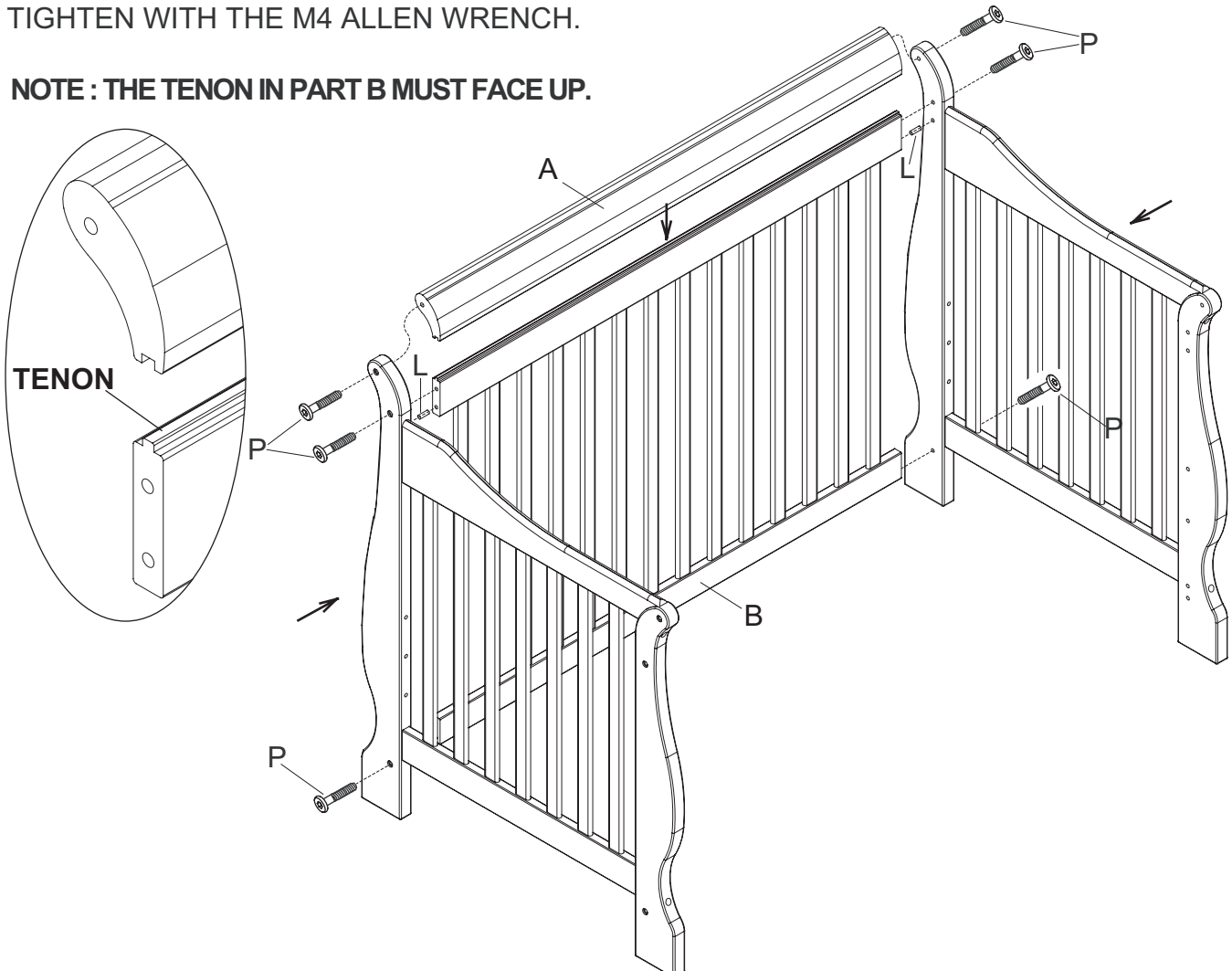
PARTS AND TOOLS REQUIRED TO COMPLETE STEP



ATTACH (1) BACK SIDE (PART B) TO THE ASSEMBLIES FROM STEP 1 USING (4) M6x38mm BOLTS (PART P) AND (2) M4x30mm METAL PIN (PART L).

INSERT THE SLOT OF THE TOP RAIL (PART A) INTO THE TENON ON TOP OF THE BACK SIDE (PART B), THEN INSERT THE M6x38mm BOLTS (PART P), THROUGH THE LEGS INTO THE THREADED INSETS ONTO THE TOP RAIL (PART A) AS SHOWN. TIGHTEN WITH THE M4 ALLEN WRENCH.

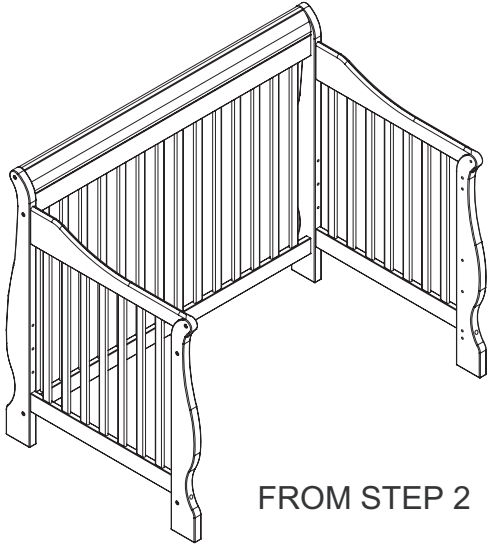
NOTE : THE TENON IN PART B MUST FACE UP.



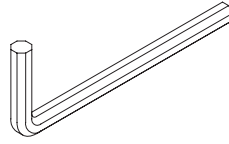
SECTION 1: CRIB ASSEMBLY

STEP 3

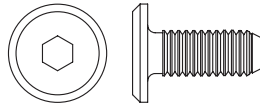
PARTS AND TOOLS REQUIRED TO COMPLETE STEP



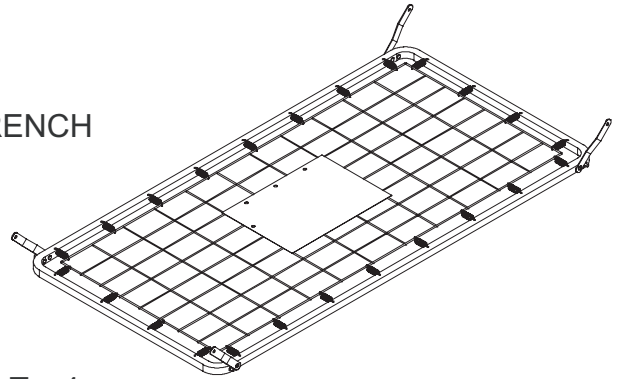
FROM STEP 2



M4 ALLEN WRENCH
SUPPLIED

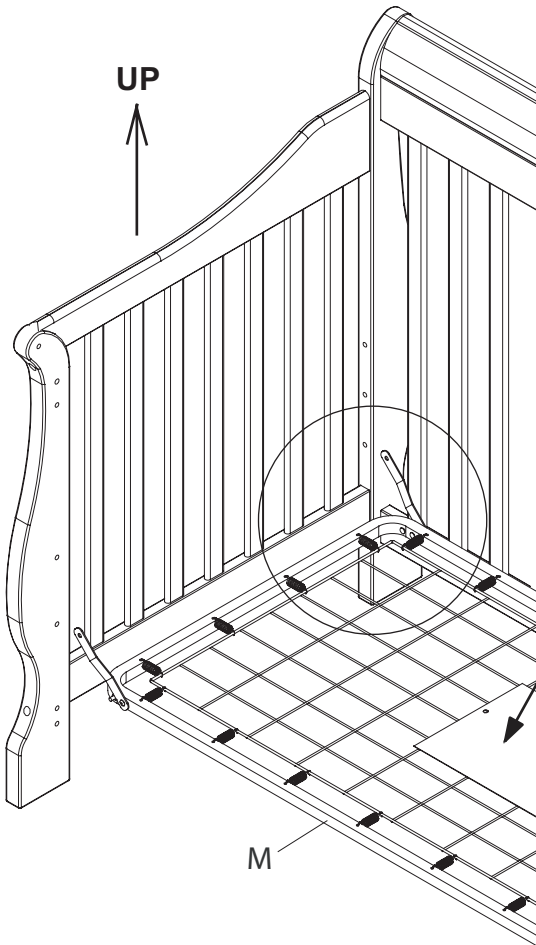



S. M6x15 mm BOLT x 4



M. MATTRESS SUPPORT x 1

ATTACH THE MATTRESS SUPPORT (PART M) IN ALL CORNERS USING (1) M6x15mm BOLT (PART S) IN EACH CORNER. TIGHTEN WITH THE M4 ALLEN WRENCH.



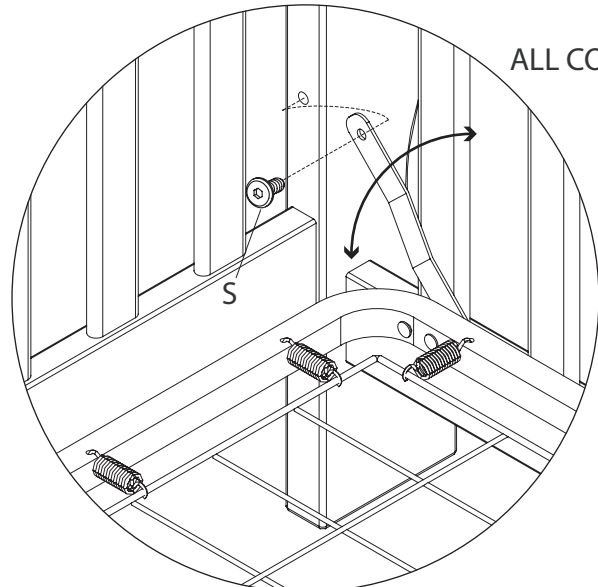
THE  WARNINGS PRINTED ON THE POUCH ATTACHED TO THE MATTRESS SUPPORT MUST FACE UP, THE SPRINGS MUST FACE UP.

THIS CRIB HAS (3) ADJUSTMENT POSITIONS, USE THE HIGHEST ONLY FOR NEW BORN, MOVE THE MATTRESS DOWN AS THE CHILD GROWS.

WARNING:

FALL HAZARD: WHEN CHILD IS ABLE TO PULL TO A STANDING POSITION, SET MATTRESS TO LOWEST POSITION AND REMOVE BUMPER PADS, LARGE TOYS AND OTHER OBJECTS THAT COULD SERVE AS STEPS FOR CLIMBING OUT.

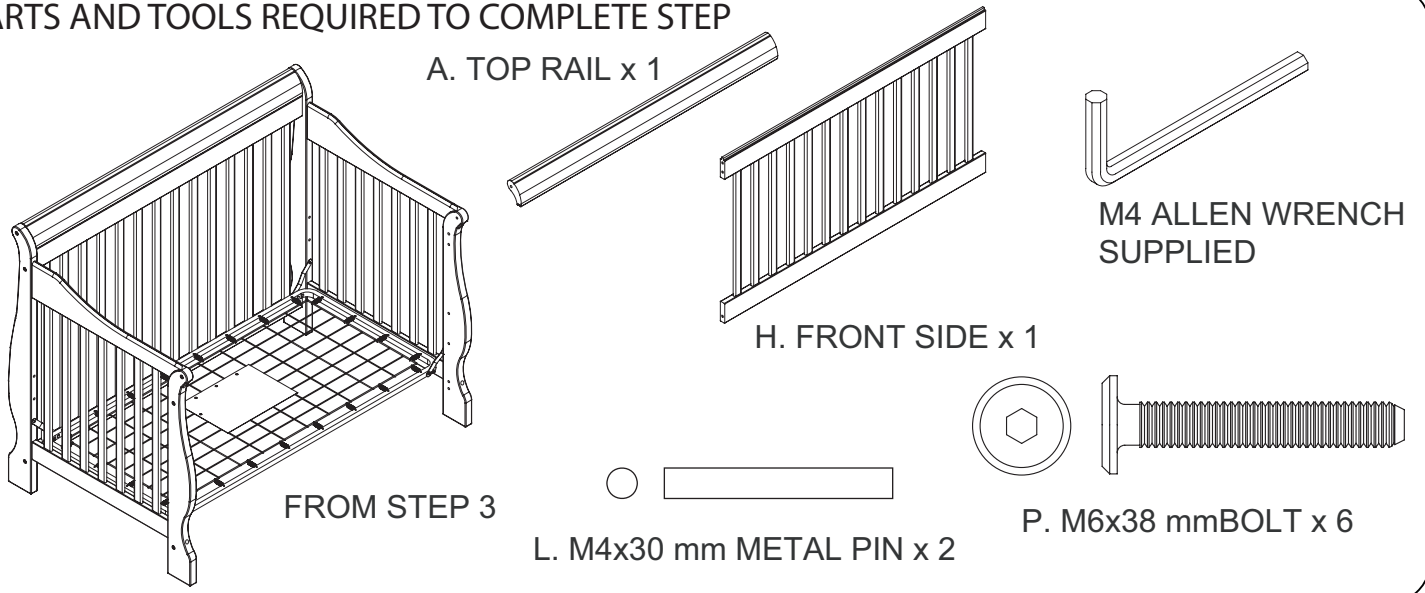
 **WARNINGS ON POUCH MUST FACE UP.**



SECTION 1: CRIB ASSEMBLY

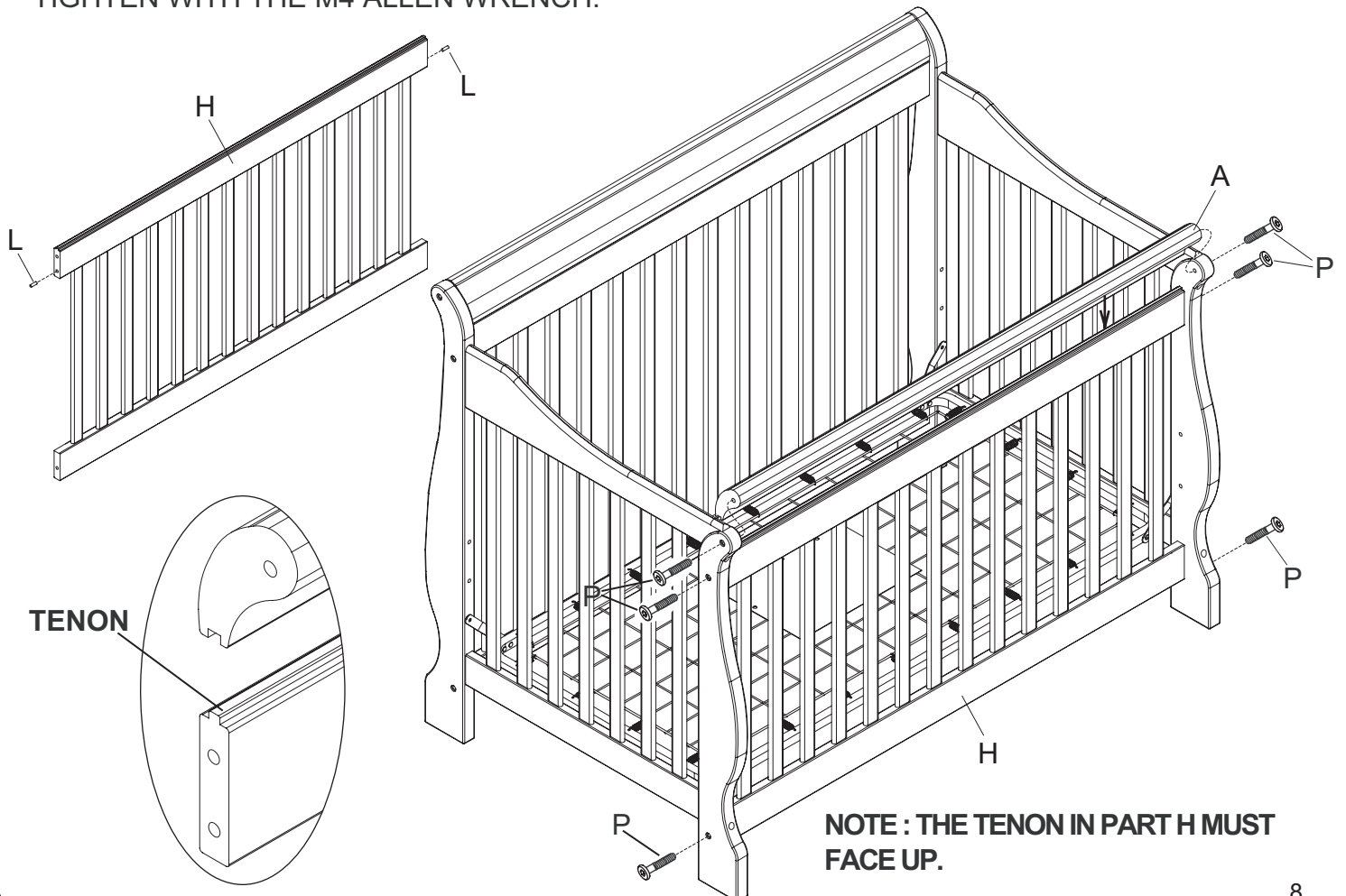
STEP 4

PARTS AND TOOLS REQUIRED TO COMPLETE STEP



INSERT (2) M4x30mm METAL PIN (PART L) INTO THE TOP HOLE ON EACH SIDE OF THE FRONT SIDE (PART H), THEN ATTACH THE FRONT SIDE (PART H) TO THE ASSEMBLIES FROM STEP 4 USING (4) M6x38mm BOLT.

INSERT THE SLOT OF THE TOP RAIL (PART A) INTO THE TENON ON TOP OF THE FRONT SIDE (PART H), THEN INSERT THE M6x38mm BOLTS (PART P), THROUGH THE LEGS INTO THE THREADED INSETS ONTO THE TOP RAIL (PART A) AS SHOWN. TIGHTEN WITH THE M4 ALLEN WRENCH.



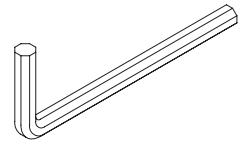
SECTION 1: CRIB ASSEMBLY

STEP 5

PARTS AND TOOLS REQUIRED TO COMPLETE STEP

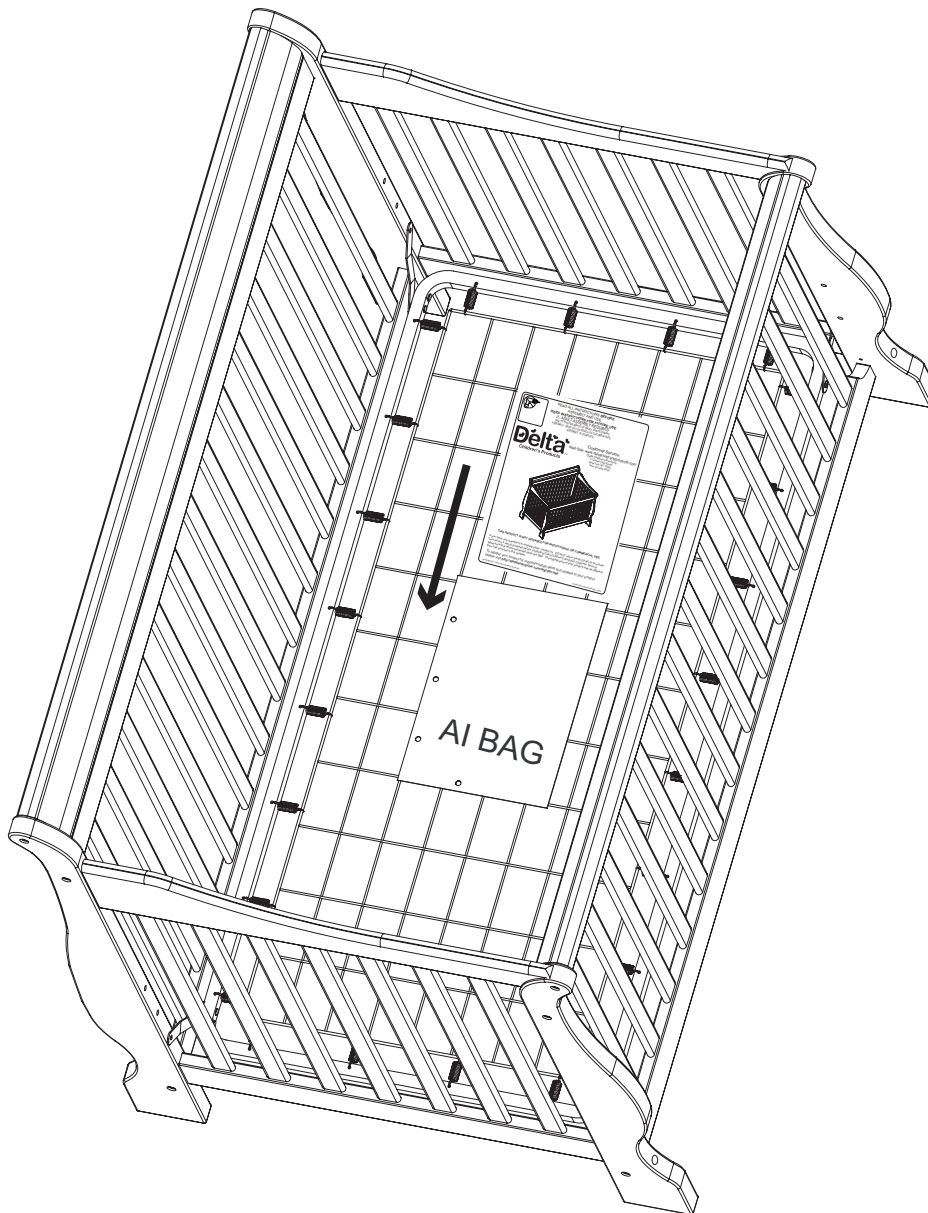


ASSEMBLY INSTRUCTION
BOOKLET



M4 ALLEN WRENCH
SUPPLIED

STORE THE ASSEMBLY INSTRUCTION BOOKLET AND THE ALLEN WRENCH IN THE POUCH ATTACHED TO THE MATTRESS SUPPORT.

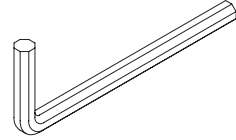
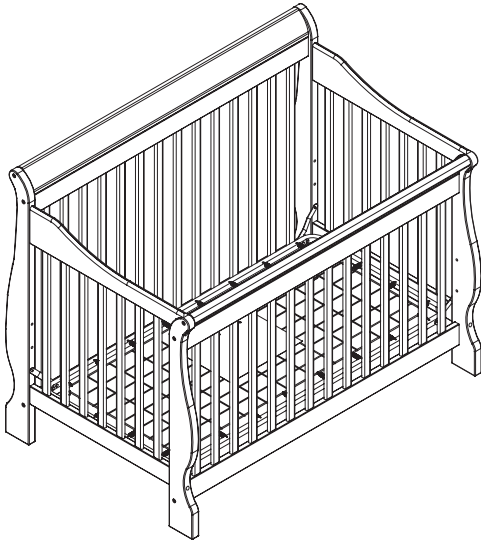


⚠ WARNING: SEE PAGE 2 FOR INFORMATION

SECTION 2: TODDLER BED CONVERSION

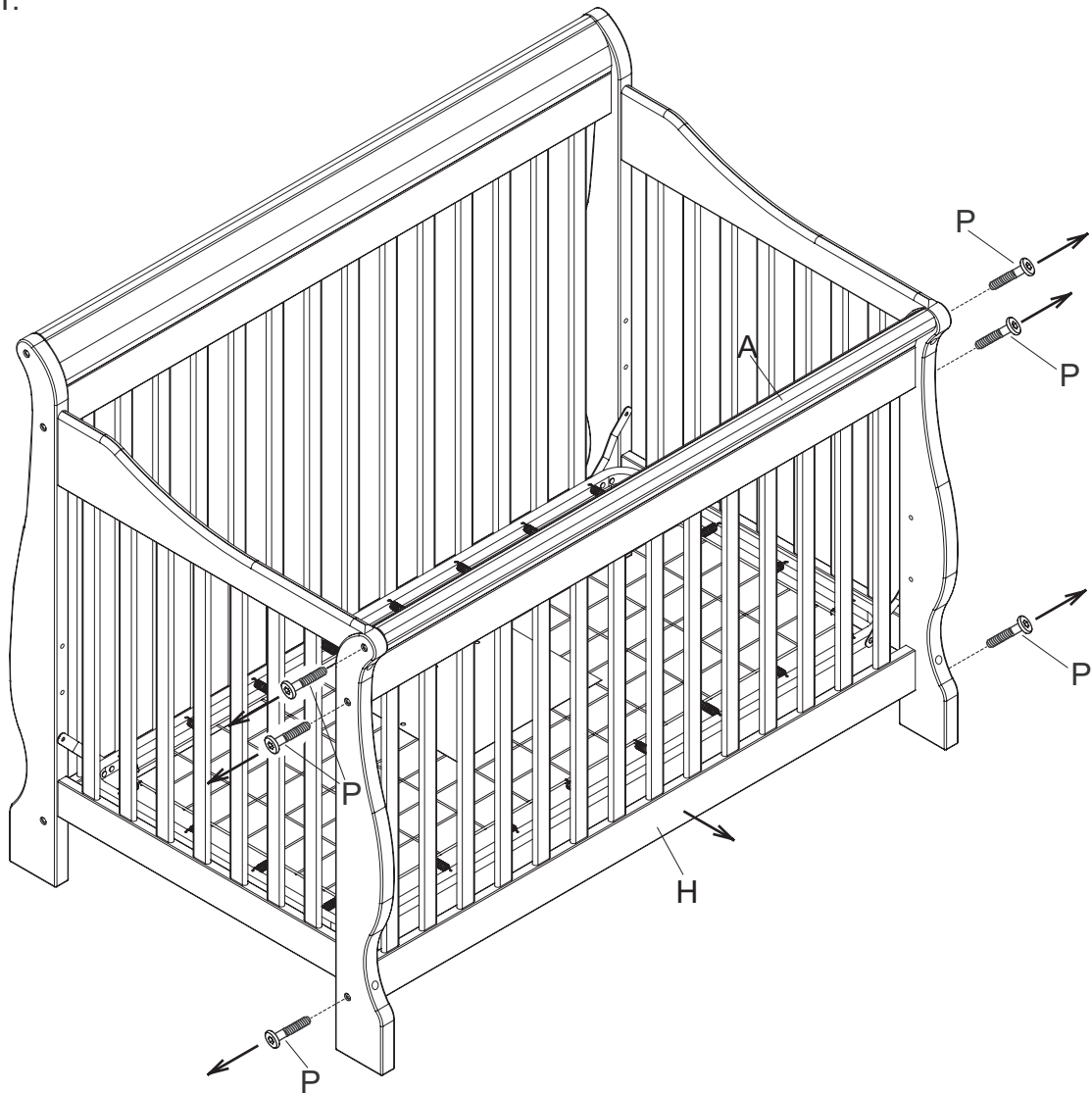
STEP 1

PARTS AND TOOLS REQUIRED TO COMPLETE STEP



M4 ALLEN WRENCH
SUPPLIED

REMOVE THE TOP RAIL AND FRONT SIDE INSTALLED IN STEP 5 & 6 OF SECTION 1 CRIB ASSEMBLY.



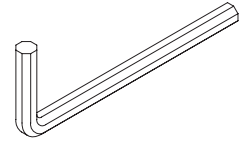
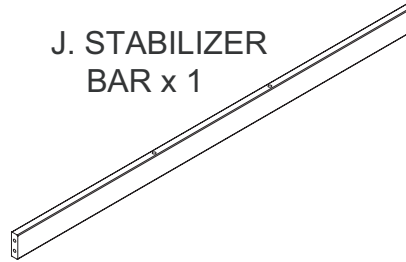
SECTION 2: TODDLER BED CONVERSION

STEP 2

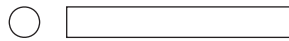
PARTS AND TOOLS REQUIRED TO COMPLETE STEP



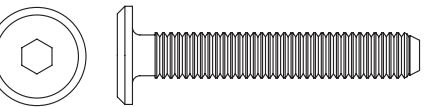
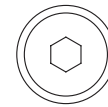
J. STABILIZER
BAR x 1



M4 ALLEN WRENCH
SUPPLIED

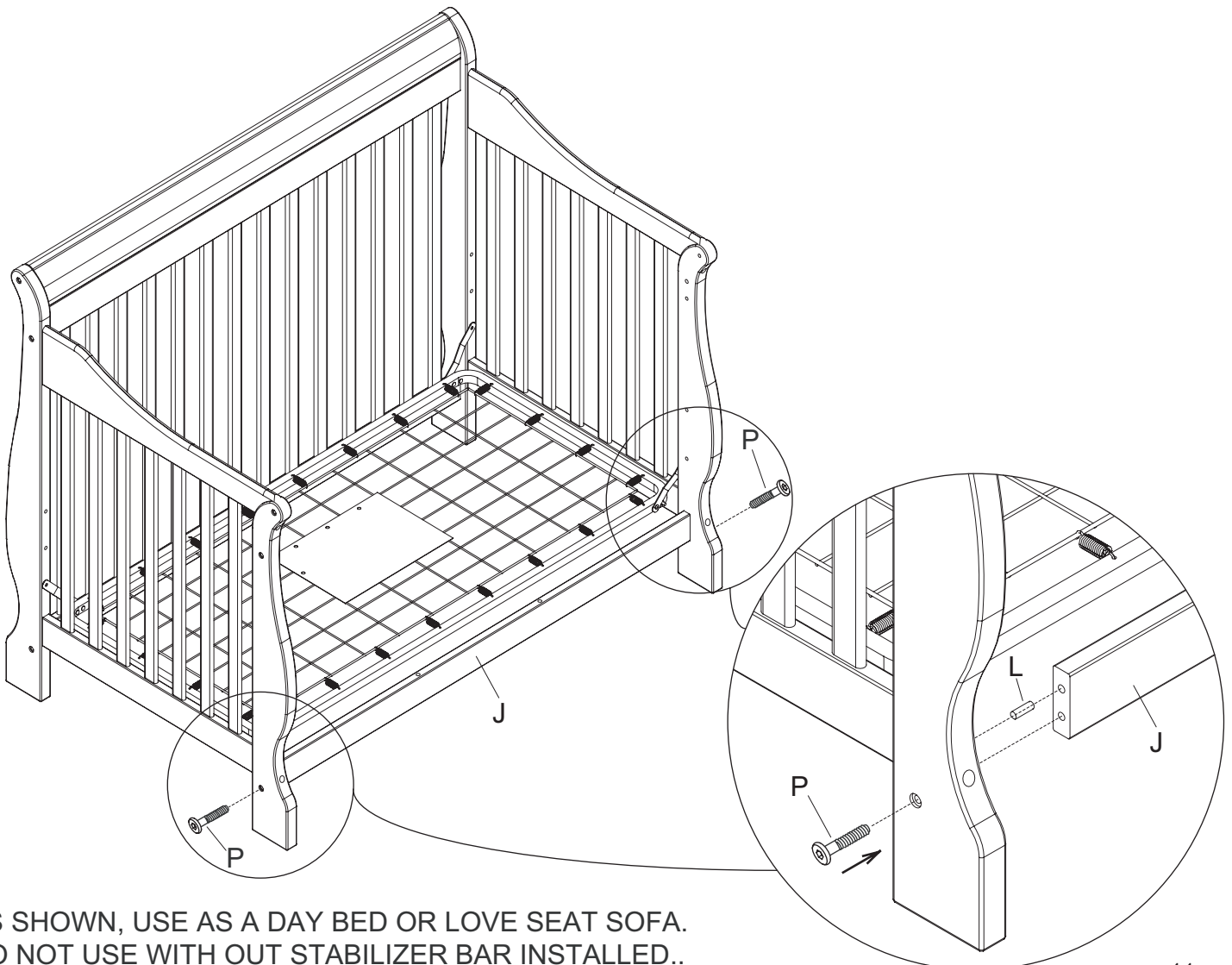


L. M4x30 mm METAL PIN x 2



P. M6x38 mm BOLT x 2

ATTACH THE STABILIZER BAR (PART J) TO THE ASSEMBLIES FROM STEP 1 USING (2) M4x30mm METAL PINS (PART L) AND (2) M6x38 mm BOLTS (PART P). TIGHTEN WITH THE ALLEN WRENCH.

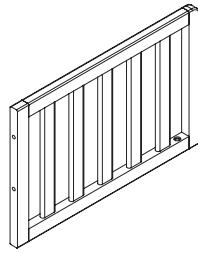


AS SHOWN, USE AS A DAY BED OR LOVE SEAT SOFA.
DO NOT USE WITH OUT STABILIZER BAR INSTALLED..

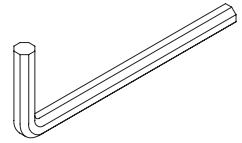
SECTION 2: TODDLER BED CONVERSION

STEP 3

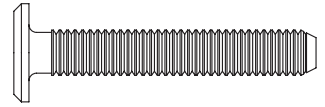
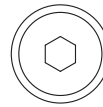
PARTS AND TOOLS REQUIRED TO COMPLETE STEP



K. SAFETY RAIL x 1



M4 ALLEN WRENCH
SUPPLIED

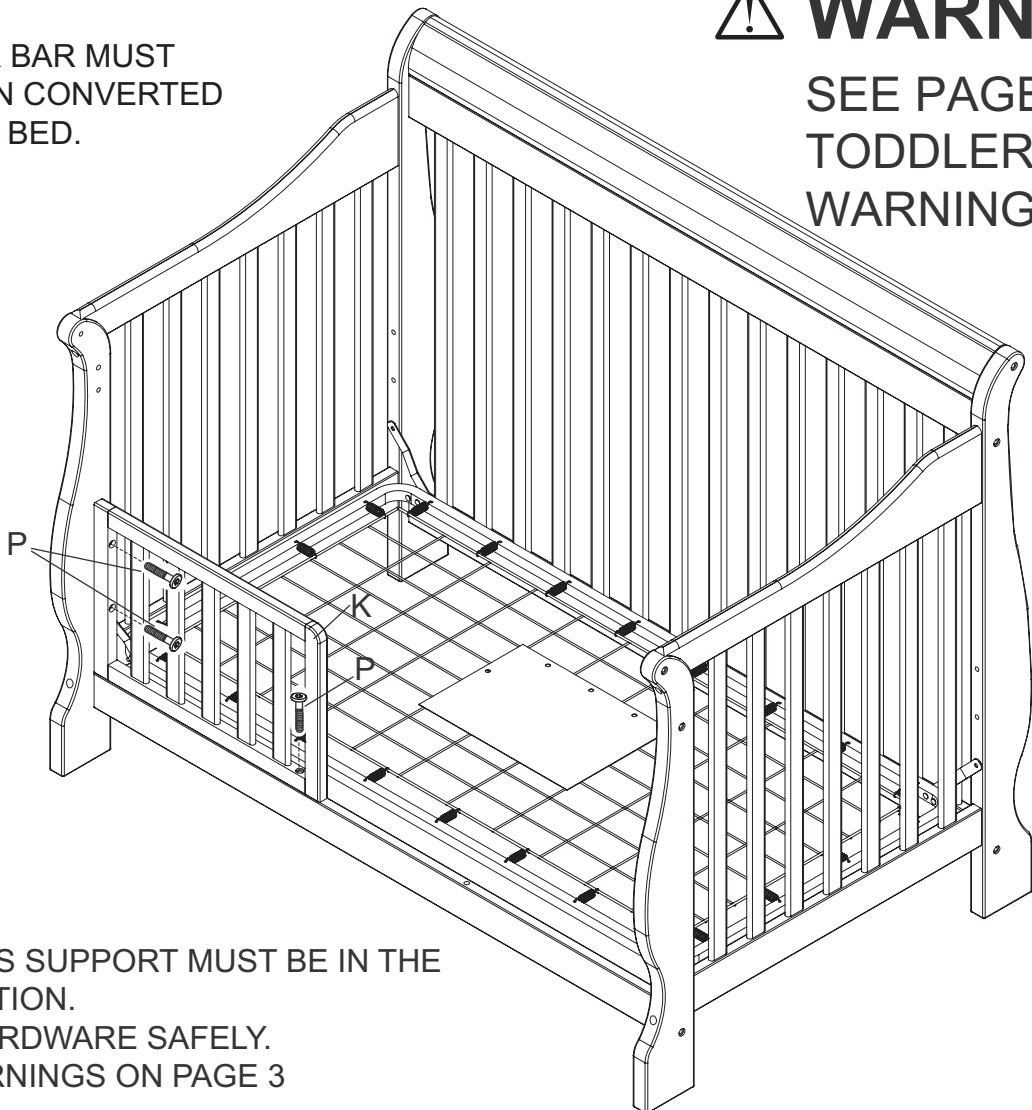


P. M6x38 mm BOLT x 3

ATTACH THE SAFETY RAIL (PART K) TO THE ASSEMBLIES FROM STEP 2 USING (3) M6x38 mm BOLTS (PART P). TIGHTEN WITH THE ALLEN WRENCH.

⚠ STABILIZER BAR MUST BE USED WHEN CONVERTED TO A TODDLER BED.

⚠ WARNING:
SEE PAGE 3 FOR
TODDLER BED
WARNINGS

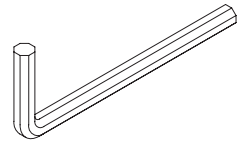


THE MATTRESS SUPPORT MUST BE IN THE LOWEST POSITION.
STORE ALL HARDWARE SAFELY.
READ ALL WARNINGS ON PAGE 3

SECTION 3: FULL SIZE BED CONVERSION

STEP 1

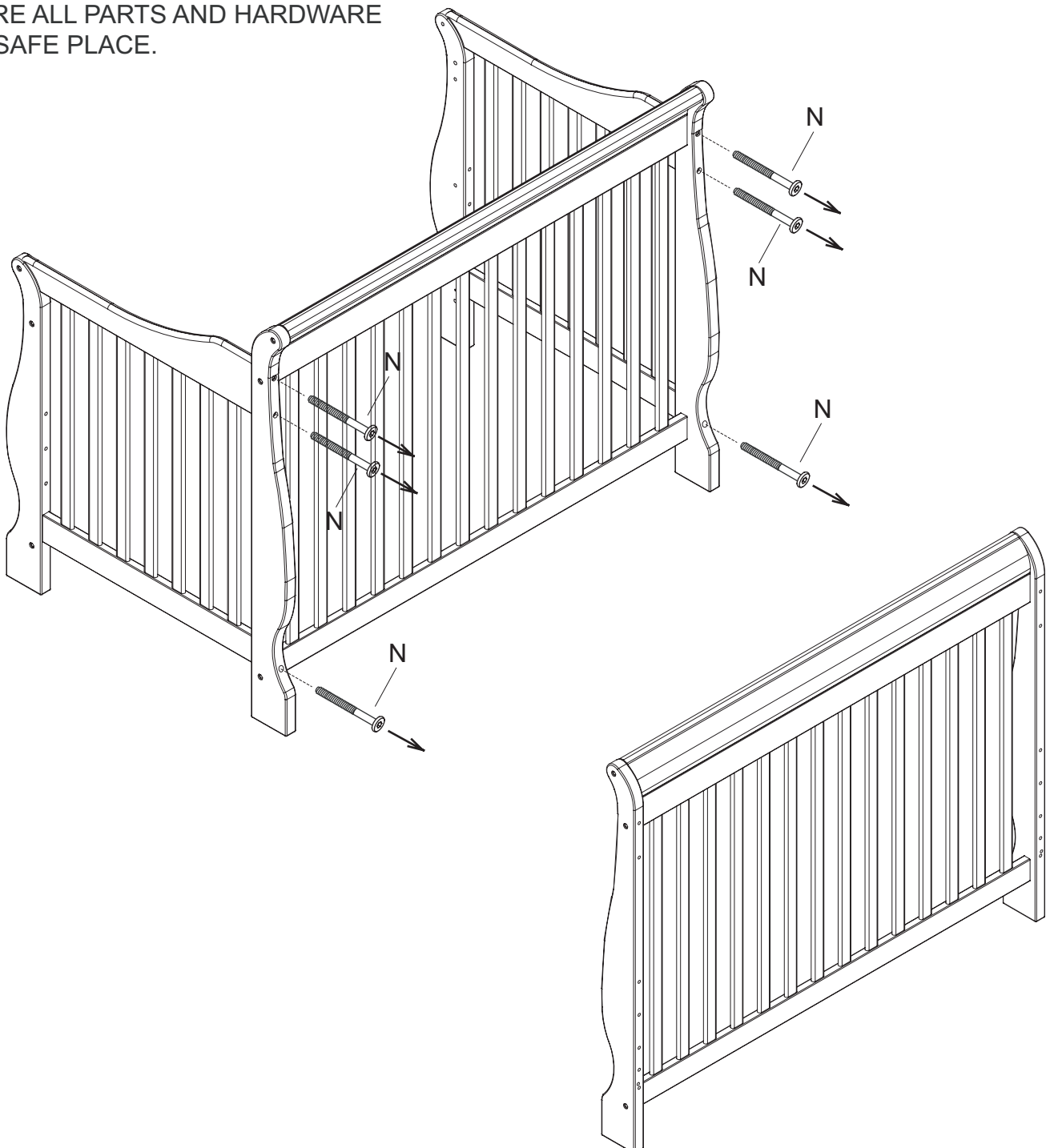
PARTS AND TOOLS REQUIRED TO COMPLETE STEP



M4 ALLEN WRENCH
SUPPLIED

YOU HAVE THE OPTION TO CONVERT THE CRIB TO A FULL SIZE BED. SIMPLY FOLLOW STEPS IN REVERSE ORDER TO DISASSEMBLE THE CRIB. THEN REMOVE THE REAR LEGS FROM THE LEFT CRIB END AND RIGHT CRIB END WITH THE M4 ALLEN WRENCH AS SHOWN.

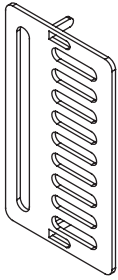
STORE ALL PARTS AND HARDWARE
IN A SAFE PLACE.



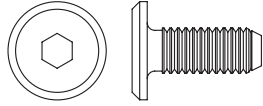
SECTION 3: FULL SIZE BED CONVERSION

STEP 2

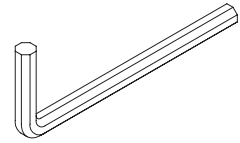
PARTS AND TOOLS REQUIRED TO COMPLETE STEP



T. ADAPTER PLATE x 2

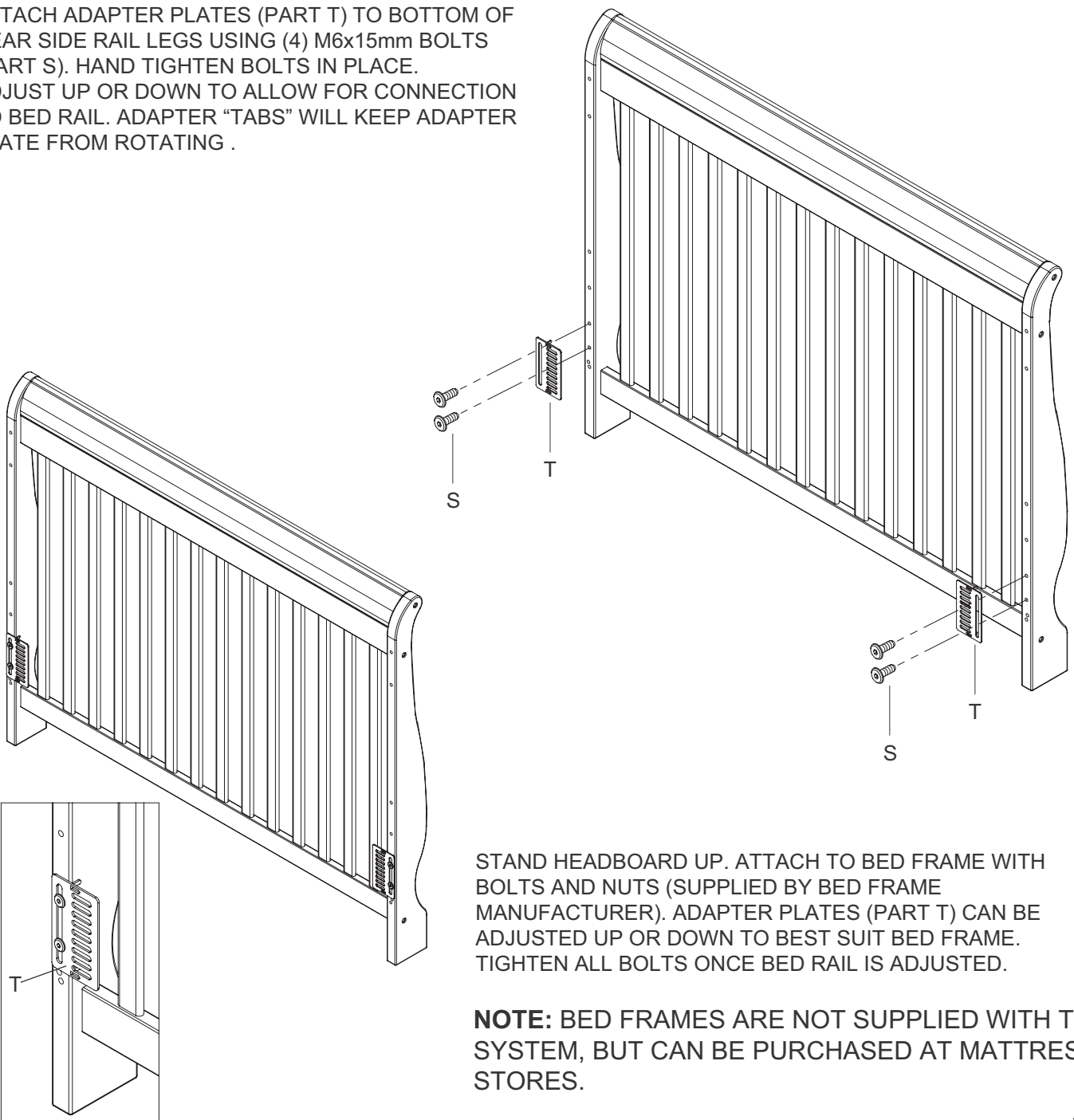


S. M6x15 mm BOLT x 4



M4 ALLEN WRENCH
SUPPLIED

TO USE AS A FULL SIZE BED HEAD BOARD ONLY. ATTACH ADAPTER PLATES (PART T) TO BOTTOM OF REAR SIDE RAIL LEGS USING (4) M6x15mm BOLTS (PART S). HAND TIGHTEN BOLTS IN PLACE. ADJUST UP OR DOWN TO ALLOW FOR CONNECTION TO BED RAIL. ADAPTER "TABS" WILL KEEP ADAPTER PLATE FROM ROTATING .



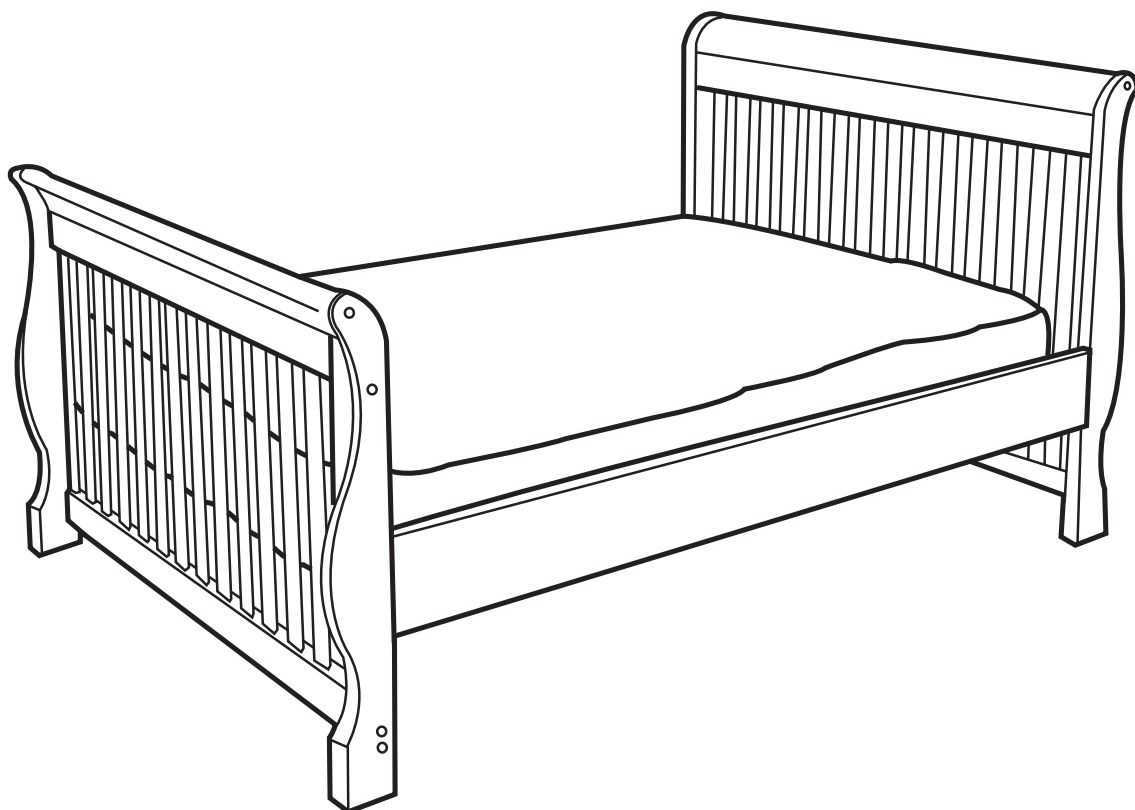
STAND HEADBOARD UP. ATTACH TO BED FRAME WITH BOLTS AND NUTS (SUPPLIED BY BED FRAME MANUFACTURER). ADAPTER PLATES (PART T) CAN BE ADJUSTED UP OR DOWN TO BEST SUIT BED FRAME. TIGHTEN ALL BOLTS ONCE BED RAIL IS ADJUSTED.

NOTE: BED FRAMES ARE NOT SUPPLIED WITH THIS SYSTEM, BUT CAN BE PURCHASED AT MATTRESS STORES.

SECTION 3: FULL SIZE BED CONVERSION

STEP 3

A BED RAIL SYSTEM IS AVAILABLE TO FIT YOUR CRIB TO CONVERT TO A COMPLETE FULL SIZE BED. SEE RETAIL STORE OR CONTACT DELTA CHILDRENS PRODUCTS FOR MORE INFORMATION





Children's Products

Customer Service:

Web Site: www.deltachildrensproducts.com

Delta Children's Products

114 West 26th Street

New York, NY 10001

Tele.212-645-9033

Warranty: This Delta Crib is warranted to be free from defects for a period of 1 year from the date of purchase under normal use. This warranty extends only to the original retail purchaser and is valid only when supplied with proof of purchase, or if received as a gift, when the registration is on file with Delta.

To register your product for important safety alerts and updates to your product please visit <http://deltaenterprise.com/register.asp>

Please do not return this item to the store before contacting us about missing parts or with any questions.

To report a problem, please log on to www.deltachildrensproducts.com and click the Customer Service Tab, log on to www.deltaenterprise.com/customer_service.asp, or contact us by phone at (212) 645-9033.

In the event that you need to contact our customer service department please have the Style Number and Lot Number available. Use the space below to make note of those numbers. They can be found on the label on the Crib End bottom rail.

Style No.: _____

Lot No. : _____

Pack Date: _____

Date of Purchase: _____ (you should also keep your receipt)